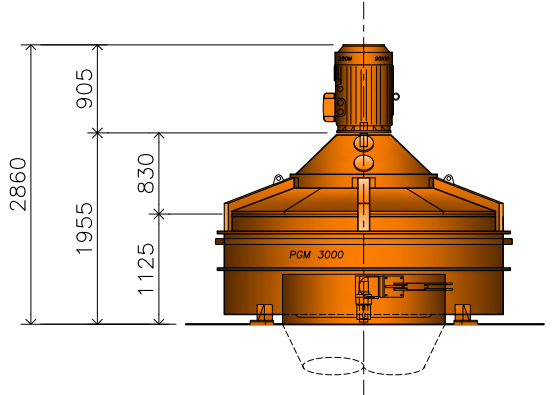
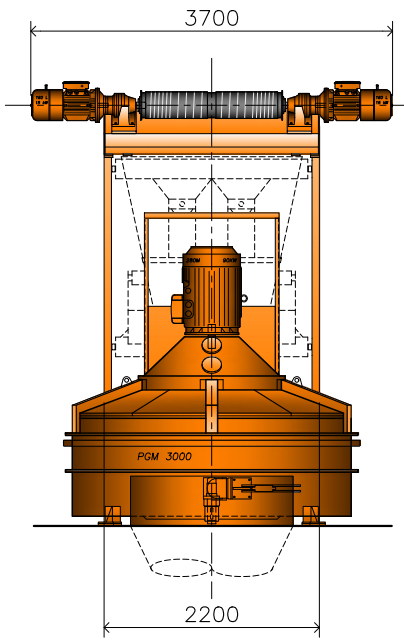
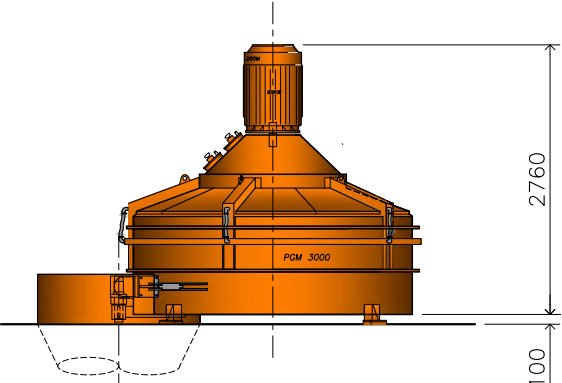
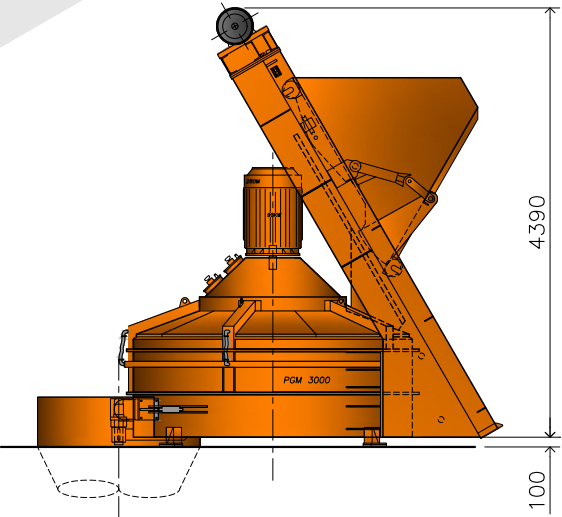
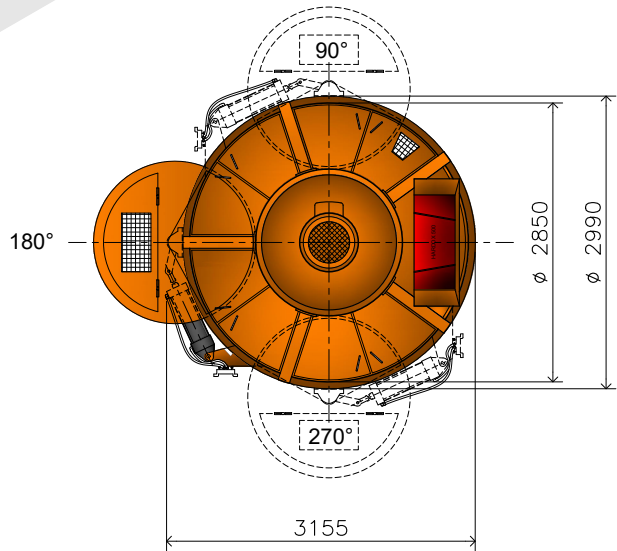


Taurus Planetary Countercurrent Mixer

PGM 3000-2000



Technical data Planetary Mixer Taurus PGM 3000 / 2000

Dry filling capacity	Ltr	3000
Output per batch, compacted	Ltr	2000
Mixer drive motor	kW	90
Mixing stars	n°	3
Mixing shovels / mixing star	n°	3
Main mixing shovels width	mm	6 x 510
Secondary mixing shovels width	mm	3 x 360
Side scrapers	n°	3
Side scrapers width	mm	480
Speed of rotor	Rpm	9,8
Speed of mixing stars	Rpm	35,1
Water spray nozzles	n°	10
Weight of mixer	kg	7600

Technical data Skip-Hoist Taurus PGM 3000 / 2000

Dry filling capacity	Ltr	3000
Max filling weight	kg	4300
Hoist drive motor	kW	2 x 15
Mixing stars	n°	0,4 / 0,8
Dia. of hoisting wire	mm	11

